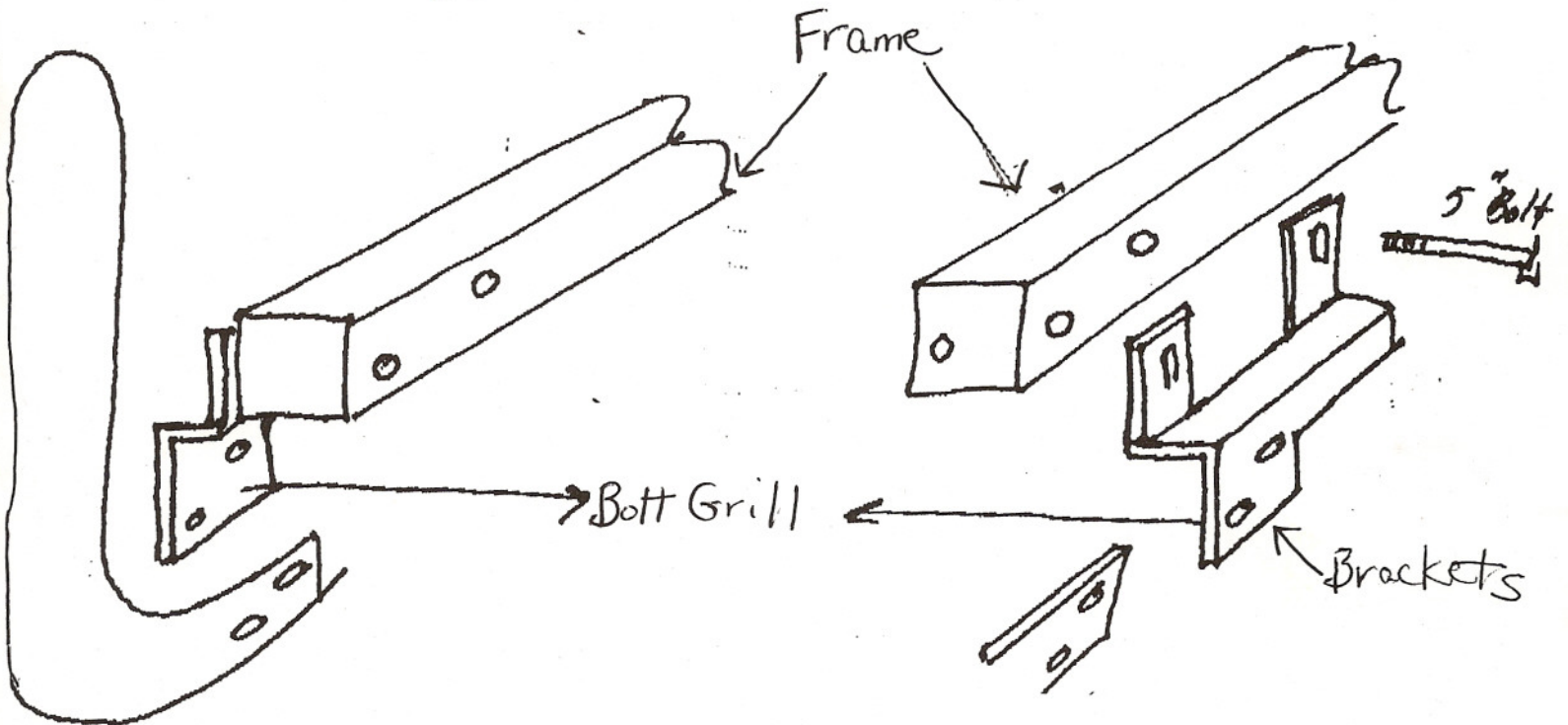


14

# GAGE GRILL GUARD MOUNTING INSRUCTIONS FOR #1310-97-03 FORD F-150

#1315 (EURO GUARD LIGHTS)



1. Bolt brackets to the outside of frame. Bolts are  $\frac{1}{2}$ " x 5" long.
2. Grill guard bolts on the inside of bracket. Note: You do not have to remove hooks.
3. On the 4 x 4, you **do not** have to cut bottom plastic.
4. On the 2 x 4, you **do** have to cut bottom plastic.

