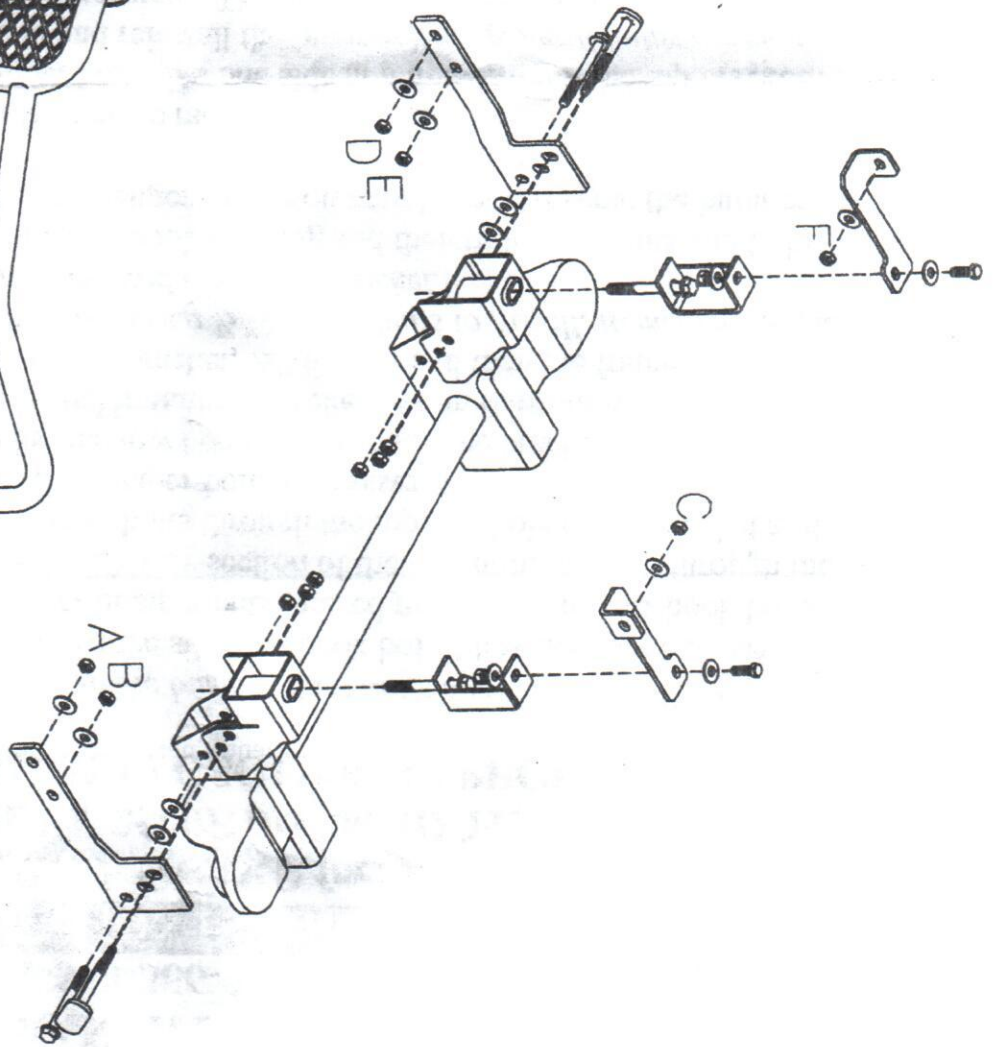
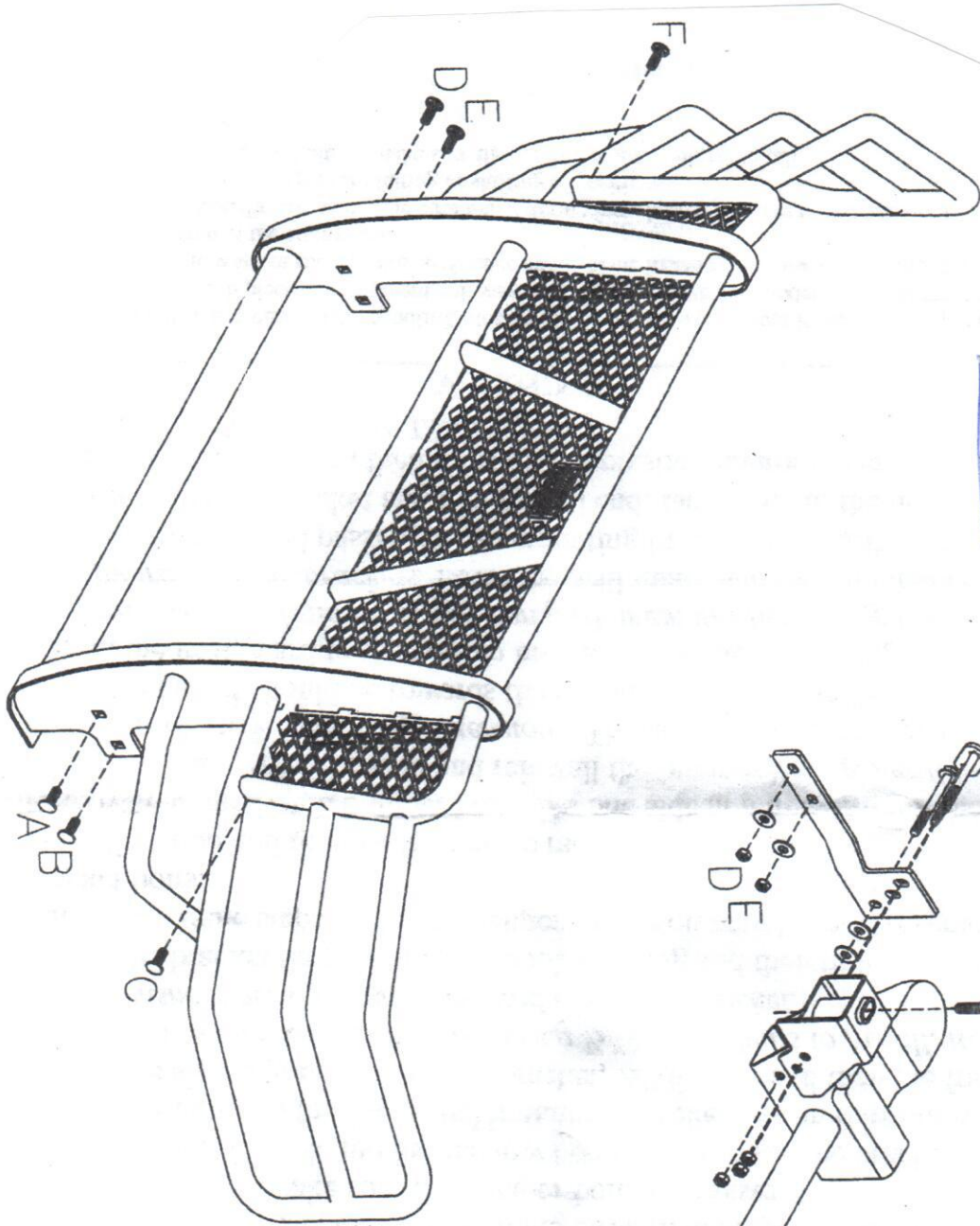


1126P



# INSTALLATION FOR PART NO. 1126P

## 2011 CHEVY HD SILVERADO GRILLGUARD

*NOTE: Work on one side at a time so the bumper does not move while installing.*

1. Start with the driver side. Remove the side tow hook bolt if tow hooks are present.
2. Remove the two (21mm) factory bumper nuts located just above the tow hook bolts.
3. Remove the tow hook. Slide the 2" wide section of the mounting bracket through the tow hook opening. Put the bumper bolts through the top hole of the bracket and reinstall the nuts. Make sure the bumper bolts face inward.
4. Reinstall the tow hook and put the tow hook bolt through the bracket and slide two  $\frac{1}{2}$ " washer between the frame and mounting bracket. When reinstalling the tow hook bolt, make sure it goes through the bracket,  $\frac{1}{2}$ " washer and then the frame.

*Note: If tow hooks are not present, use a  $\frac{1}{2}$ " x 1  $\frac{1}{2}$ " bolts to install. Remember to put the  $\frac{1}{2}$ " washers between the frame and mounting bracket.*

5. Center the bracket through the tow hook opening and then tighten all nuts and bolts.
6. Follow the same steps for the passenger side. You may have to reverse the bumper bracket bolts.
7. Open the hood and remove the plastic radiator cover. There will be 10 plastic clips.
8. Remove the top 21mm bumper bolts. Do one side at a time. Mount the top bracket, with two bends, over the hole and reinstall the bumper bolt. *Note: It helps to use a short socket, swivel and long extensions.* The larger slotted hole goes to the bottom. Also, the gusset should be towards the outside. Do the same for the other side.
9. Mount the grill guard to the bottom brackets. Use the  $\frac{1}{2}$ " carriage bolts to install. *If the brackets are a little wide, you can push them in when you get ready to slide the grill guard over the brackets.* Level the grill guard and then tighten carriage bolts.
10. There is a driver and passenger top mounting bracket. Mount the straight end of the bracket to the top bracket and the formed end, facing up, to the upright.
11. Tighten all the bolts and then reinstall the plastic radiator cover.

***MAKE SURE ALL NUTS AND BOLTS ARE TIGHT!***